



Introduction:

MULTILAYER CERAMIC LEADED CAPACITORS

Radial Epoxy coated multilayer ceramic capacitors available in popular COG(NPO), X7R, Y5V and Z5U dielectrics. Ideal for industrial and general purpose electronic applications. These capacitors are available in both Bulk and Tape & Reel packing for automatic insertion.

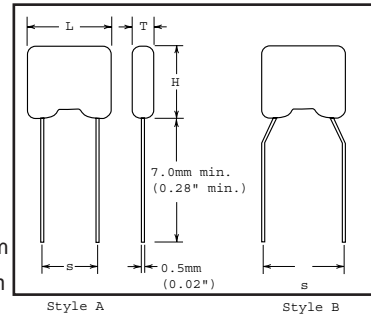
Series Specifications:	COG/NPO	X7R	Y5V	Z5U
Temperature Range in °C:	-55 to +125	-55 to +125	-30 to +85	+10 to +85
Dissipation Factor % @25°C & 1KHz:	0.25 max	3.0 max	6.0 max	4.0 max
Insulation Resistance @25°C: (minimum of)	1 G Ohm or 100 Ohm F	1 G Ohm or 100 Ohm F	1 G Ohm or 100 Ohm F	1 G Ohm or 100 Ohm F
Overload Voltage(25°C) 5 seconds max:	2x rated voltage	2x rated voltage	2x rated voltage	2x rated voltage
Temperature Coefficient:	±30ppm/°C	±15% chg.	-82 to +22% chg.	-56 to +22% chg.
Tolerance options:	J(5%), K(10%)	K(10%), M(20%)	M(20%), Z(-20 to +80%)	M(20%), Z(-20 to +80%)

Radial Leaded Series

Features

- COG(NPO) & X7R dielectrics in 25, 50 and 100 Volt rating. Y5V and Z5U in 25, 50, and 63 Volt rating.
- Radial configuration with choice of 2 standard lead spacing.
- Available in Bulk and Tape & Reel Packing (EIA Standard).

Style A : s = 2.5 ± 0.5mm
 Style B : s = 5.0 ± 0.5mm



CASE CODE/ CAPACITANCE, VOLTAGE, LEAD STYLE OPTIONS TABLE

Case Code	Size Dimensions			Voltage	Capacitance Range				Lead Style
	L	H	T		COG(NPO)	X7R	Y5V	Z5U	
0805	4.1mm max.	3.8mm max.	3.2mm max.	25V	10-3300pF	220pF-1uF	.01-.1uF	.01-.22uF	A,B
				50V	10-2200pF	220pF-.1uF	.01-.68uF	.01-.1uF	A,B
				100V	10-1000pF	220pF-.068uF			A,B
1206	5.5mm max.	6.0mm max.	4.5mm max.	25V	10-4700pF	1000pF-1uF	.01-1.2uF	.01-.33uF	A,B
				50V	10-4700pF	1000pF-.1uF	.01-1uF	.01-.22uF	A,B
				100V	10-3300pF	1000pF-.068uF			A,B
1210	6.5mm max.	7.5mm max.	5.0mm max.	25V	560pF-.01uF	1000pF-.33uF	.1-2.2uF	.1-1uF	B
				50V(63V)	560pF-6800pF	1000pF-2uF	.1-2.2uF	.1-1uF	B
				100V	560pF-4700pF	1000pF-1uF			B
1812	8.5mm max.	7.5mm max.	5.0mm max.	25V	1000pF-.015uF	.01-.47uF	.15-3.3uF	.68-2.2uF	B
				50V(63V)	1000pF-.01uF	.01-.33uF	.15-3.3uF	.68-2.2uF	B
				100V	1000-6800pF	.01-.15uF			B
2225	10.5mm max.	10mm max.	6.5mm max.	25V	1000pF-.022uF	.01-1uF	1-4.7uF	1.5-3.3uF	B
				50V(63V)	1000pF-.022uF	.01-1uF	1-4.7uF	1.5-3.3uF	B
				100V	1000pF-.01uF	.01-.47uF			B

Note: Extended capacitance range values; special voltages, tolerances, lead spacing and forming may be available on factory approval.

PART NUMBERING EXPLANATION

