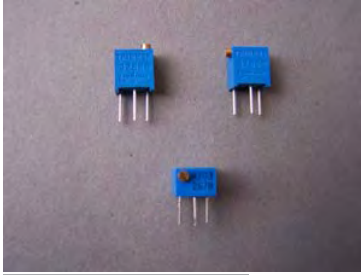


# Sharma Potentiometers

## WIW1015(3266) Trimmer Potentiometer



### Features

- 6mm Square Multiturn
- Cermet / Industrial / Sealed
- 5 terminal styles (W,X,P,Y, Z)

### Electrical Characteristics

Standard Resistance Range  
10 to 1 megohms  
(see standard resistance table)

Resistance Tolerance  
± 10% std.  
(tighter tolerance available)

Absolute Minimum Resistance  
1% or 2 ohms max.  
(whichever is greater)

Contact Resistance Variation  
3% or 3 ohms max.  
(whichever is greater)

Adjustability  
Voltage ± 0.02%  
Resistance ± 0.05%

Resolution  
Infinite

Insulation Resistance  
500 Vdc  
1,000 megohms min.

Dielectric Strength  
101.3 kPa 600Vac  
8.5 kPa 250 Vac

Effective Travel  
12 turns nom.

### Environmental Characteristics

Power Rating (200 volts max.)  
0.25 watt (70°C), 0 watt (125°C)

Temperature Range  
-55°C to +125°C

Temperature Coefficient  
± 100ppm/°C

Vibration  
98 m/s<sup>2</sup>  
(1% Δ TR; 1% Δ VR)

Shock  
390 m/s<sup>2</sup>  
(1% Δ TR; 1% Δ VR)

Load Life  
1,000 hours 0.25 watt @ 70°C  
(3% Δ TR; 4% or 4 ohms,  
Whichever is greater, CRV)

Rotational Life  
200 cycles  
(3% Δ TR; 4% or 4 ohms,  
Whichever is greater, CRV)

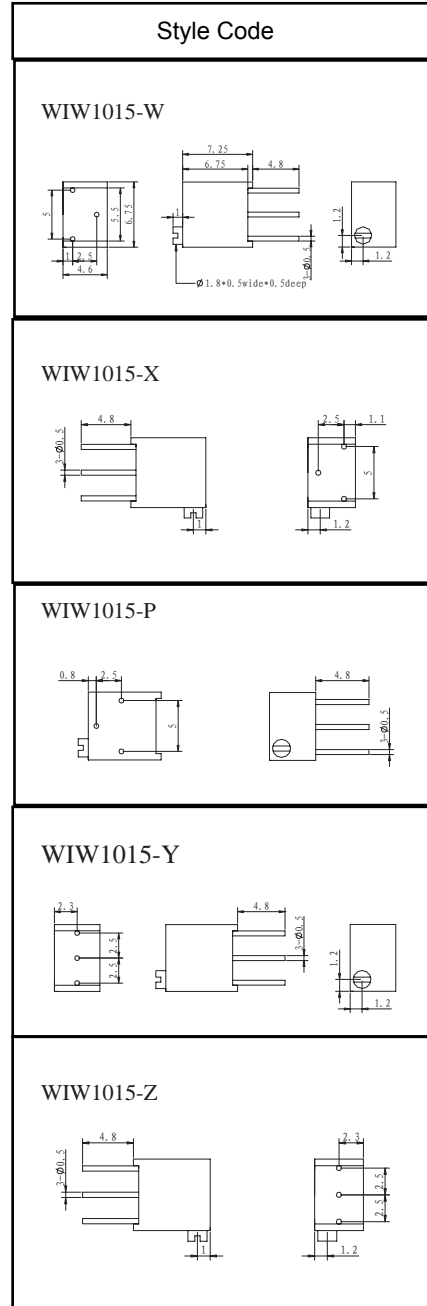
### Physical Characteristics

Torque  
25mN • m max.

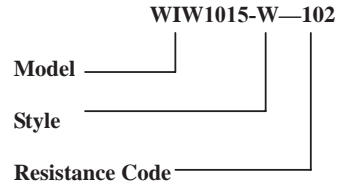
Mechanical Stop  
Wiper idles.

Terminals  
Solderable pins

Standard Packaging  
50 pcs. per tube



### How to order



### Standard Resistance Table

Resistance (Ohms)	Resistance Code
10	100
20	200
50	500
100	101
200	201
500	501
1,000	102
2,000	202
5,000	502
10,000	103
20,000	203
25,000	253
50,000	503
100,000	104
200,000	204
250,000	254
500,000	504
1,000,000	105

Special resistance available

TCR of shaded areas: ± 250ppm/°C

Detail Specification: Q/R/261-2000

